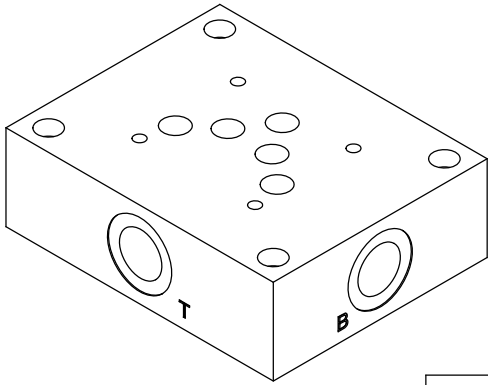
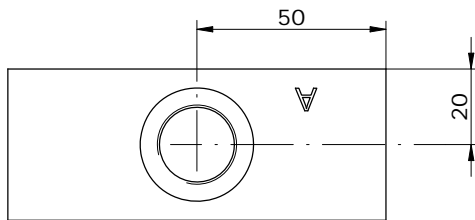
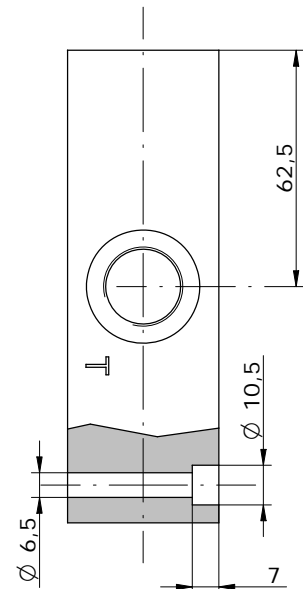
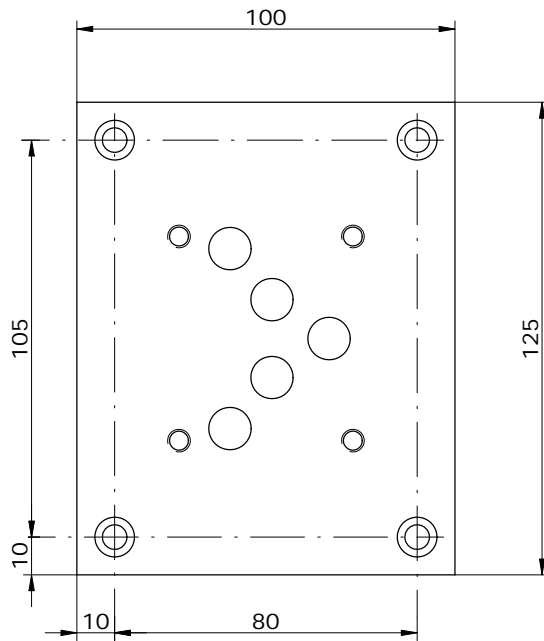
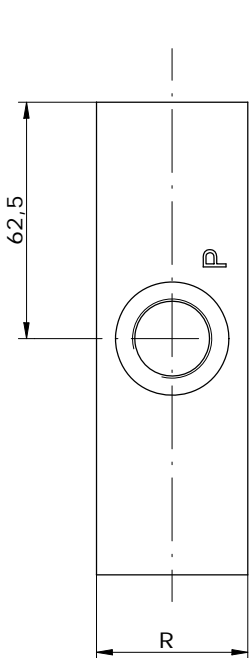
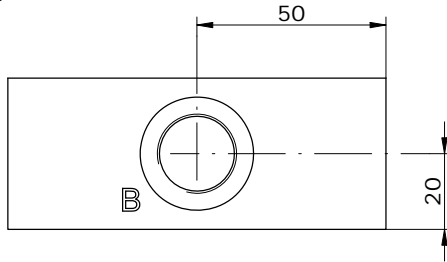
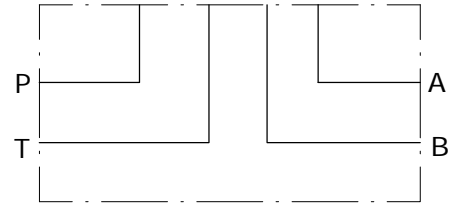


BASE SINGOLA CETOP 5 CON UTILIZZI A-B-P-T LATERALI
SUB-PLATE CETOP 5 WITH A-B-P-T PORTS ON SIDE



Schema idraulico
Hydraulic diagram



VERSION	R
E_10-02-12	40
E_10-02-34	50

E_ 10 - 02 -

S = STEEL
A = ALUMINUM

12 = BSP 1/2G
34 = BSP 3/4G